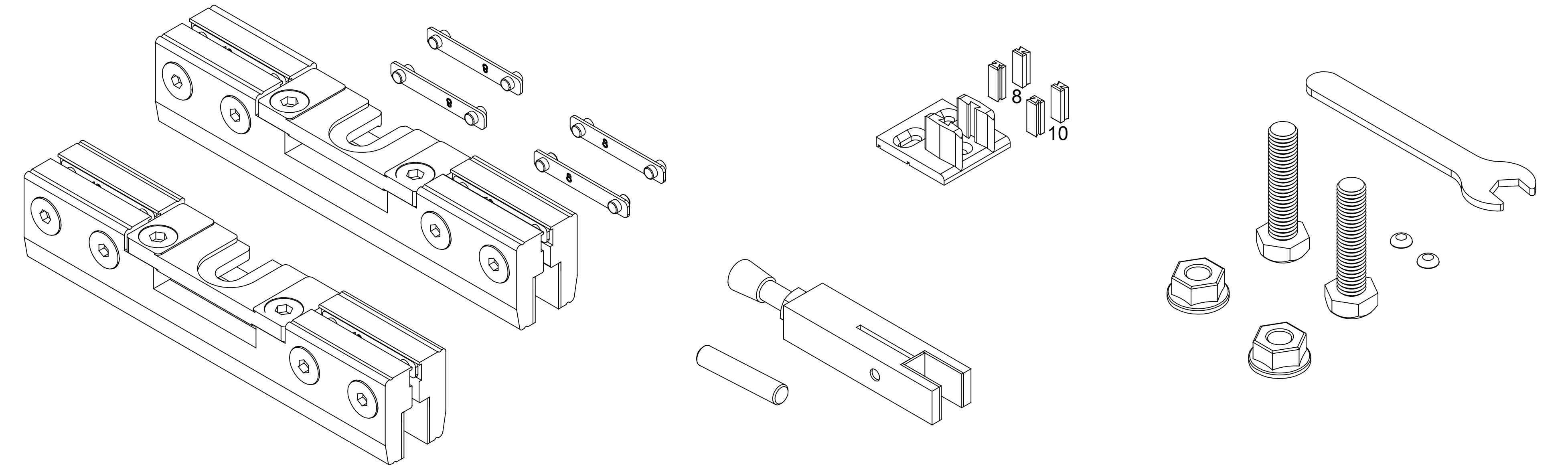
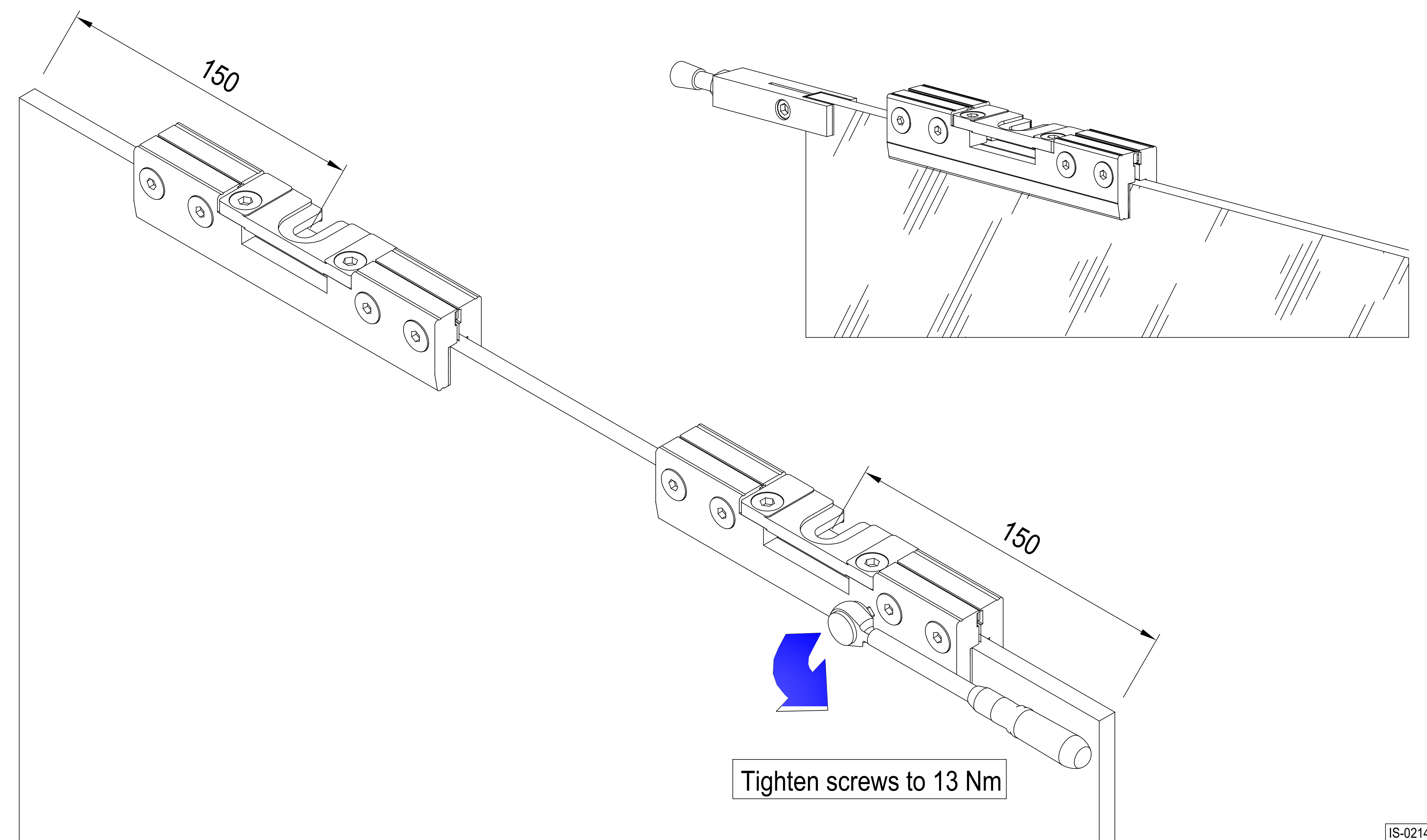
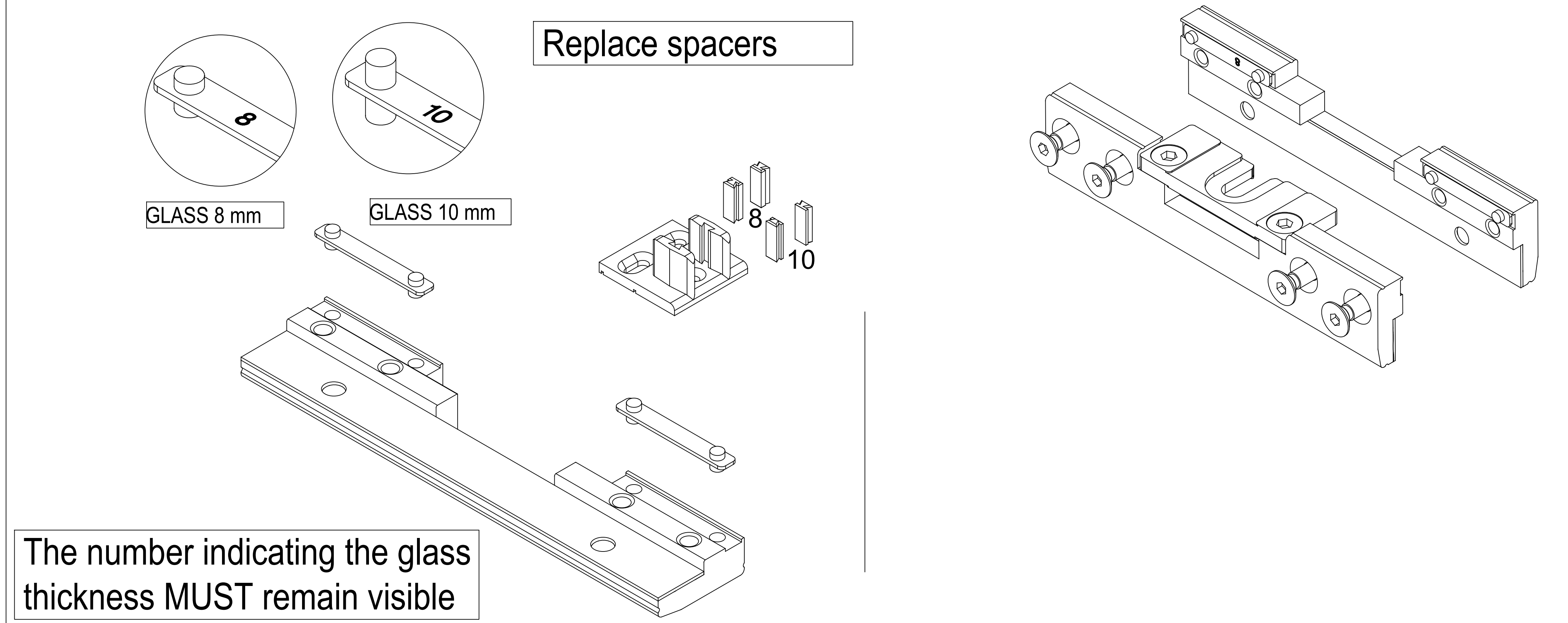


Pack contents



Changing glass thickness



Introduction

The aim of this manual is to provide useful information and instructions for the correct use and maintenance of the product. This manual must be read, together with the installation instructions, before installing the product and before carrying out any work whatsoever on it. All product documentation must be carefully kept by the user and made available for installation, maintenance, repair and servicing operations. All these operations must be carried out only by professional operators.

Intended use

This product is intended for interior use in residential buildings.

Product information and intended use:

Pursuant to this definition, “hardware for sliding doors” is taken to mean hardware for sliding doors and similar sliding elements, hereinafter “objects”, which are normally not moved more rapidly than human walking speed. The sliding hardware is designed for use on doors installed vertically and made from glass. In particular, compliant use implies assembly and installation in a correct workmanlike manner. The hardware must be sufficiently stable at all these points. The operation of hardware must not be impaired or modified after assembly.

Incorrect use

Scrigno declines all and any liability deriving from unsuitable conditions of use of the product, including the following:

- the hardware is used with an ultimate tensile stress greater than the maximum load-bearing capacity indicated in the catalogue and demonstrated in other product documentation

- the product has been incorrectly assembled or insufficiently secured, or in case of excessively high or low ambient temperatures

- the product is exposed to particularly harsh agents

- the product is subjected to excessive and inappropriate stresses due to impacts or falling

- the position of the sliding track is insufficiently horizontal

- foreign bodies are able to penetrate the sliding track

- the sliding doors must not be allowed to move more rapidly than human walking speed, and they must be halted manually before they reach their endstop

- obstacles are introduced into the door opening area or between the door and the object such as to prevent correct use

- additional loads are applied to the doors or objects

- during normal closure or closure by pushing, persons are caught up between the door or the fixture, or if during closure by pushing a person or body parts of a person are present in this area

Installation

- We recommend the use of soda-lime-silicate safety glass tempered thermally in accordance with the UNI EN 12150-1 standard. To choose the type of glass for various applications depending on their intended use and safety risks, consult the UNI 7697 standard.
- Scrigno accessories for glass doors are not suitable for premises where chemical substances are used, such as swimming pools, saunas and public baths.
- Accessories for glass must be fitted only by specialized personnel.
- Before fitting accessories, check that glass is free from chips and/or broken edges.
- During fitting, there is the risk of crushing and other injuries due to glass breakages. Suitable items of personal protection equipment must therefore be worn.
- Before accessories are fitted definitively, check that the glass in the area of the clamps has been thoroughly cleaned.
- The use of clamping devices on self-cleaning surfaces is not permitted.
- Assembly must be performed without forcing components. Do not exceed the recommended tightening of screws.
- The installation of accessories must not prevent the possibility of carrying out any necessary maintenance and/or adjustments.

THE INSTRUCTIONS GIVEN ARE VALID ONLY FOR SCRIGNO AND SCRIGNOTECH SLIDING DOOR FRAMES. SCRIGNO DECLINES ALL AND ANY LIABILITY FOR PROBLEMS THAT MAY ARISE FROM INSTALLATION ON OTHER TYPES OF FRAME.

CAUTION: FOR SAFE OPERATION, THE DISAPPEARANCE OF DOORS MUST BE LIMITED TO A MINIMUM OF 90 mm.

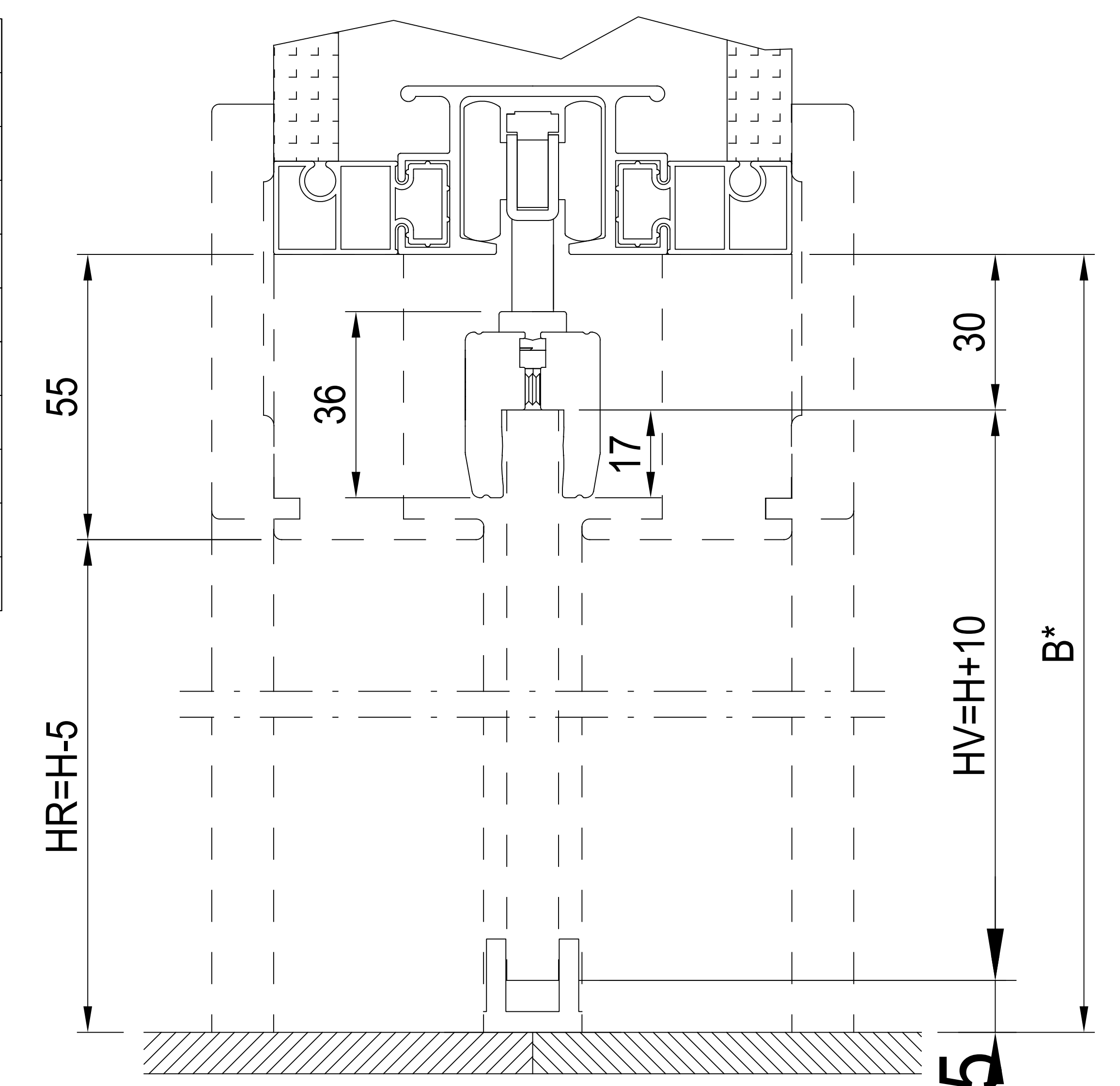
Maintenance

The correct position and adjustment of the door and the smooth movement of sliding components must be checked regularly. In particular, in the case of doors used by a large number of persons, these checks should be carried out by a company specializing in maintenance or installation. Damaged glass components (broken and/or chipped) must be replaced immediately! Surfaces must be cleaned using only suitable cleaning products.

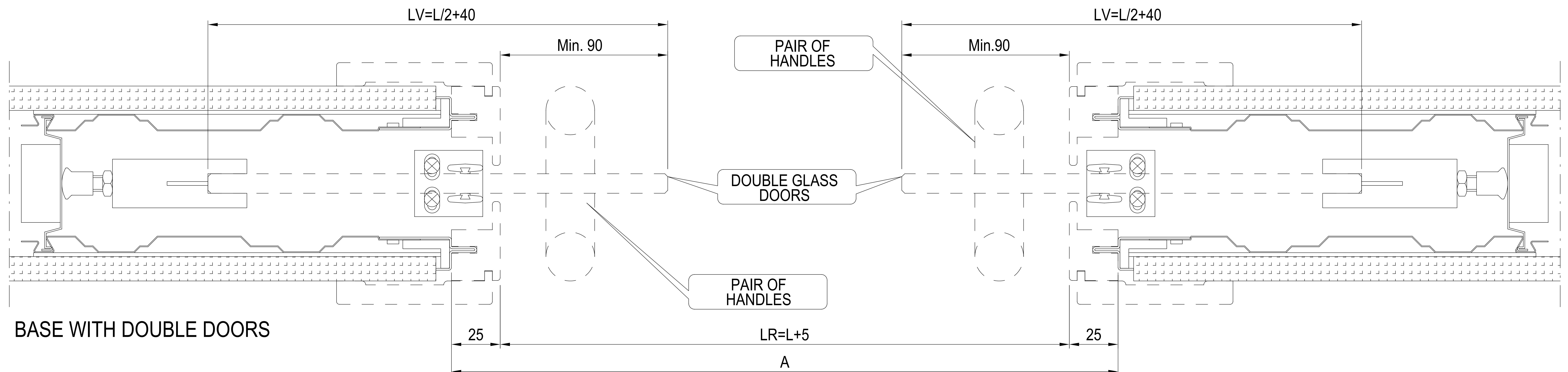
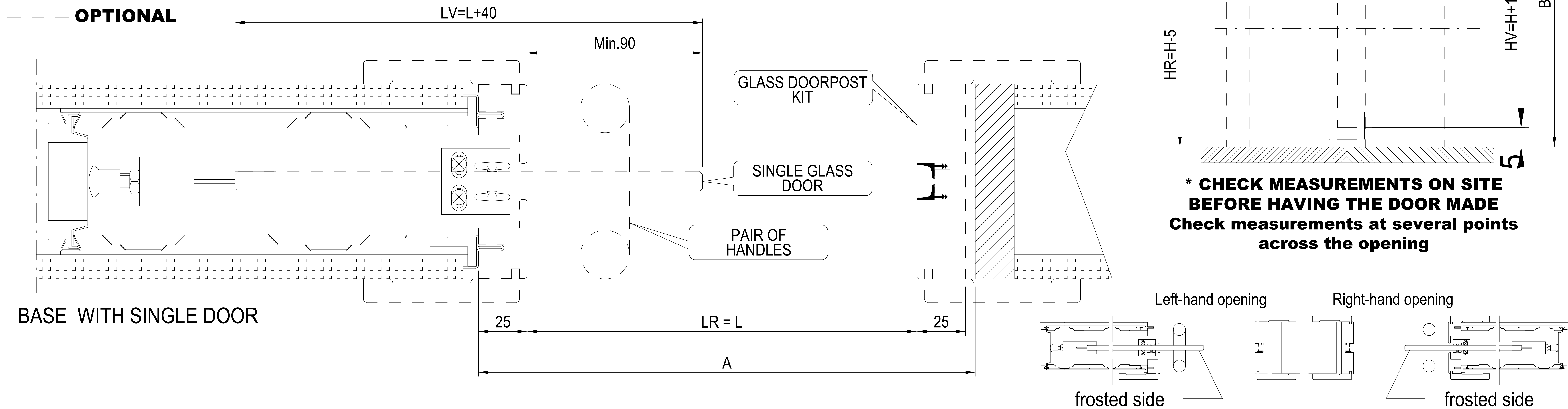
Annual cycles	2500 Annual cycles				5000 Annual cycles			
	Adjustment	Revision	Check for wear	Replacement	Adjustment	Revision	Check for wear	Replacement
Description / frequency in months This chart is valid for the annual cycles indicated								
Sliding system	6	-	24	-	3	-	12	-
Handles	-	6	-	-	-	3	-	-
Doors	12	-	-	-	6	-	-	-
Clamp tightening	12	-	-	-	6	-	-	-

SINGLE DOOR				
COMMERCIAL OPENING SIZE	EFFECTIVE OPENING SIZE	OPENING	GLASS	
L x H	LR x HR	A x B*	No.	Lv x Hv
600 x 1800+2700	600 x 1795+2695	655 x 1850+2750	1	640 x 1810+2710
700 x 1800+2700	700 x 1795+2695	755 x 1850+2750	1	740 x 1810+2710
750 x 1800+2700	750 x 1795+2695	805 x 1850+2750	1	790 x 1810+2710
800 x 1800+2700	800 x 1795+2695	855 x 1850+2750	1	840 x 1810+2710
900 x 1800+2700	900 x 1795+2695	955 x 1850+2750	1	940 x 1810+2710
1000 x 1800+2700	1000 x 1795+2695	1055 x 1850+2750	1	1040 x 1810+2710
1100 x 1800+2700	1100 x 1795+2695	1155 x 1850+2750	1	1140 x 1810+2710
1200 x 1800+2700	1200 x 1795+2695	1255 x 1850+2750	1	1240 x 1810+2710

DOUBLE DOOR				
COMMERCIAL OPENING SIZE	EFFECTIVE OPENING SIZE	OPENING	GLASS	
L x H	LR x HR	A x B*	No.	Lv x Hv
1200 x 1800+2700	1205 x 1795+2695	1255 x 1850+2750	2	640 x 1810+2710
1400 x 1800+2700	1405 x 1795+2695	1455 x 1850+2750	2	740 x 1810+2710
1600 x 1800+2700	1605 x 1795+2695	1655 x 1850+2750	2	840 x 1810+2710
1800 x 1800+2700	1805 x 1795+2695	1855 x 1850+2750	2	940 x 1810+2710
2000 x 1800+2700	2005 x 1795+2695	2055 x 1850+2750	2	1040 x 1810+2710
2200 x 1800+2700	2205 x 1795+2695	2255 x 1850+2750	2	1140 x 1810+2710
2400 x 1800+2700	2405 x 1795+2695	2455 x 1850+2750	2	1240 x 1810+2710

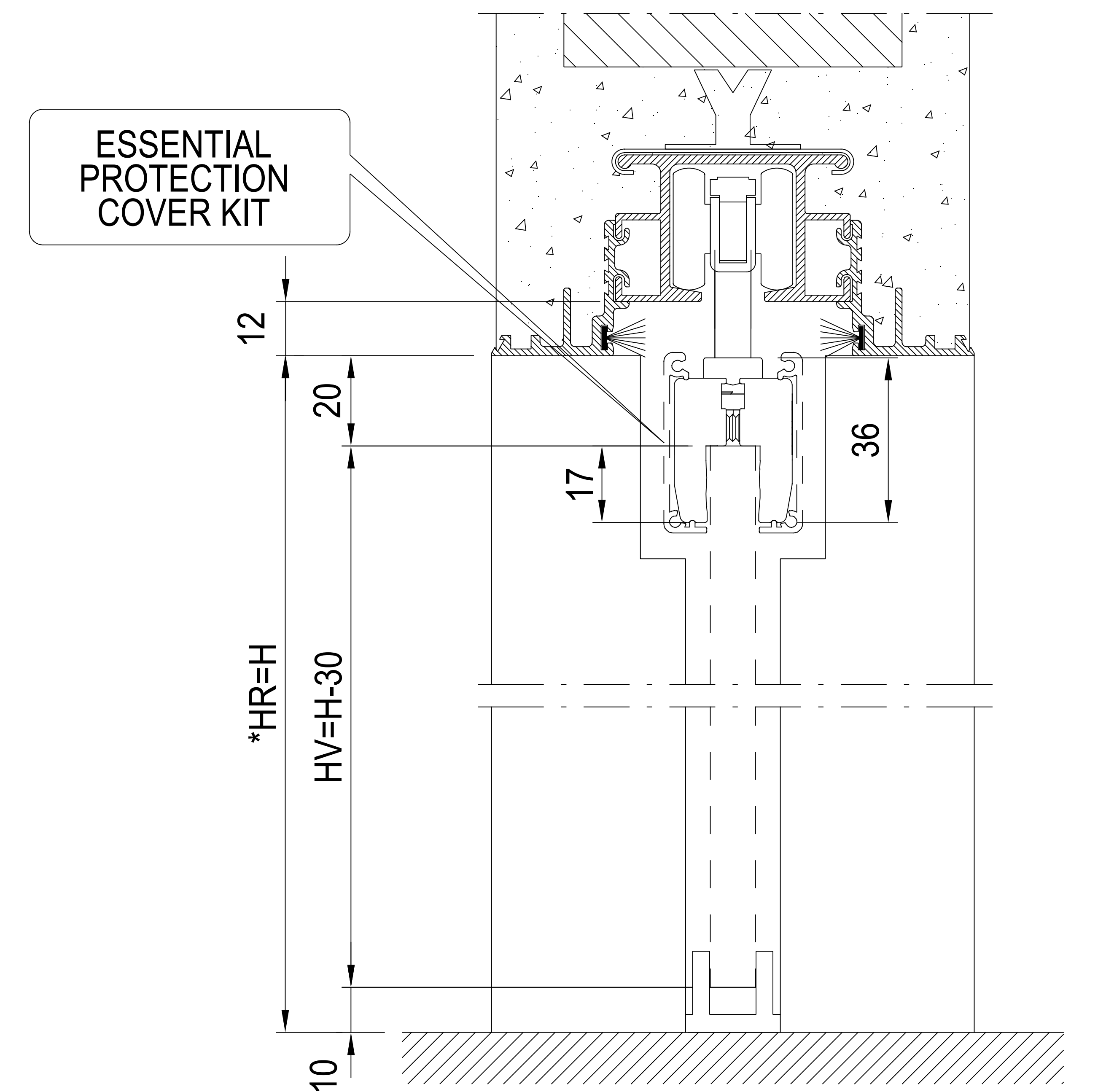


*** CHECK MEASUREMENTS ON SITE BEFORE HAVING THE DOOR MADE**
Check measurements at several points across the opening



SINGLE DOOR				
COMMERCIAL OPENING SIZE		EFFECTIVE OPENING SIZE		GLASS
L x H	LR x *HR	No.	Lv x Hv	
600 x 1800+2700	590 x *1800+2700	1	640 x 1770+2670	
700 x 1800+2700	690 x *1800+2700	1	740 x 1770+2670	
750 x 1800+2700	740 x *1800+2700	1	790 x 1770+2670	
800 x 1800+2700	790 x *1800+2700	1	840 x 1770+2670	
900 x 1800+2700	890 x *1800+2700	1	940 x 1770+2670	
1000 x 1800+2700	990 x *1800+2700	1	1040 x 1770+2670	
1100 x 1800+2700	1090 x *1800+2700	1	1140 x 1770+2670	
1200 x 1800+2700	1190 x *1800+2700	1	1240 x 1770+2670	

DOUBLE DOOR				
COMMERCIAL OPENING SIZE		EFFECTIVE OPENING SIZE		GLASS
L x H	LR x HR*	No.	Lv x Hv	
1200 x 1800+2700	1200 x 1800+2700	2	640 x 1770+2670	
1400 x 1800+2700	1400 x 1800+2700	2	740 x 1770+2670	
1600 x 1800+2700	1600 x 1800+2700	2	840 x 1770+2670	
1800 x 1800+2700	1800 x 1800+2700	2	940 x 1770+2670	
2000 x 1800+2700	2000 x 1800+2700	2	1040 x 1770+2670	
2200 x 1800+2700	2200 x 1800+2700	2	1140 x 1770+2670	
2400 x 1800+2700	2400 x 1800+2700	2	1240 x 1770+2670	



OPTIONAL

