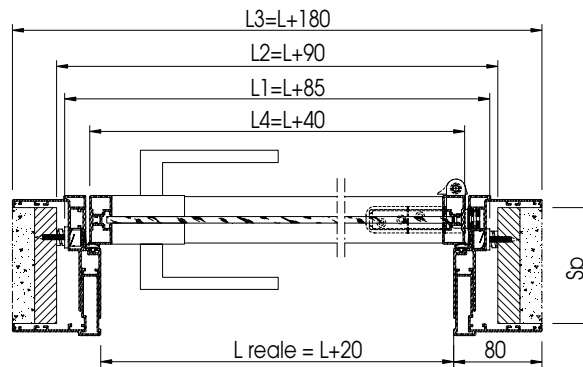
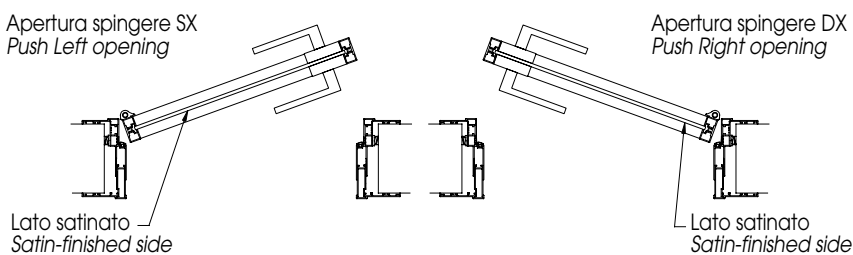


Eeguire sempre il rilievo misure prima di ordinare la porta  
Always take measurements before ordering the door



Apertura spingere SX  
Push Left opening



Apertura spingere DX  
Push Right opening

Lato satinato  
Satin-finished side

Lato satinato  
Satin-finished side

ALLUMINIO  
ALUMINIUM

VETRO TEMPERATO O STRATIFICATO  
TEMPERED OR LAMINATED GLASS

LUCE DI PASSAGGIO CLEAR OPENING SIZE	ESTERNO TELAIO FRAME EXTERIOR	LUCE VANO OPENING DIMENSIONS	INGOMBRI COPRIFILI EDGING TRIM DIMENSIONS	MISURA ANTA DOOR MEASUREMENT	SPESSORE PARETE FINISHED WALL
L x H	L1 x H1	L2 x H2	L3 x H3	L4 x H4	Sp
600 x 1900 ÷ 2700	685 x 1942 ÷ 2742	690 x 1945 ÷ 2745	780 x 1990 ÷ 2790	640 x 1914 ÷ 2714	<b>da 98 a 250</b> from 98 to 250
700 x 1900 ÷ 2700	785 x 1942 ÷ 2742	790 x 1945 ÷ 2745	880 x 1990 ÷ 2790	740 x 1914 ÷ 2714	
800 x 1900 ÷ 2700	885 x 1942 ÷ 2742	890 x 1945 ÷ 2745	980 x 1990 ÷ 2790	840 x 1914 ÷ 2714	
900 x 1900 ÷ 2700	985 x 1942 ÷ 2742	990 x 1945 ÷ 2745	1080 x 1990 ÷ 2790	940 x 1914 ÷ 2714	
1000 x 1900 ÷ 2700	1085 x 1942 ÷ 2742	1090 x 1945 ÷ 2745	1180 x 1990 ÷ 2790	1040 x 1914 ÷ 2714	