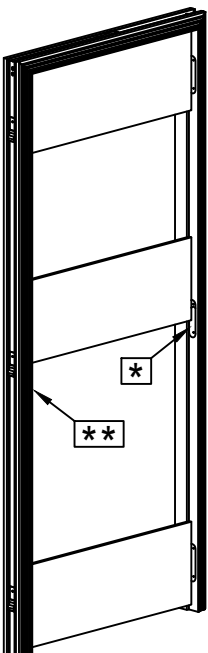


SYSTEMS WITH SWING DOOR FLUSH WITH WALL FRAME INSTALLATION

B50

PULL or PUSH frame - wall thickness c100 - i105

CONTENT OF THE PACKAGE

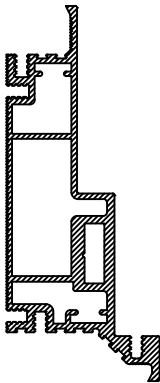


No. 1
To be used in brick walls only

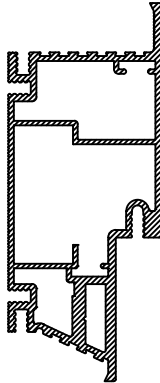
No. 2
Screws to be used for the installation of the mesh

No. 1 box of accessories
GASKET

PUSH
MODEL c100 / i105



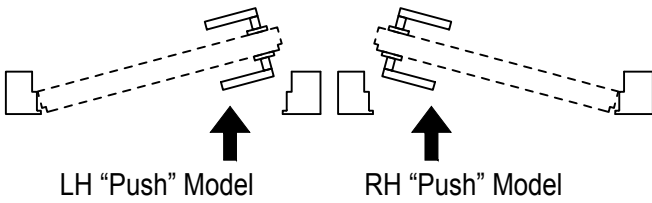
PULL
MODEL c100 / i105



* Pre-installation work for Hinges ANSELMI ART. 505
** Pre-installation work for adjustable counter-plate BONAITI GR98
(For magnetic lock BONAITI B FOUR E=50)

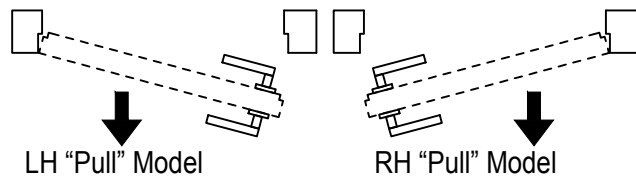
OPENING TYPES

PUSH OPENING



LH "Push" Model RH "Push" Model

PULL OPENING



LH "Pull" Model RH "Pull" Model

Ces informations sont remises a titre indicatif. SCRIGNO S.p.A. Unipersonale declina toute responsabilite en cas d'erreur d'impression, de traduction, ou pour tout autre motif. Elle se reserve le droit d'apporter toute modification pour le montage et l'amelioration du produit sans preavis. Toute reproduction meme partielle de ce document est formellement interdite.

Los datos publicados son indicativos. La sociedad SCRIGNO S.p.A. Unipersonale declina toda responsabilidad por los posibles errores contenidos, debido a errores de imprenta, de transcripcion o cualquier otro motivo y se reserva el derecho de mejorar los productos sin previo aviso. La reproduccion total o parcial esta prohibida por la ley.

I dati pubblicati sono indicativi. Scrigno S.p.A. Unipersonale declina ogni responsabilita' per le possibili inesattezze contenute, dovute ad errori di stampa, di trascrizione o per qualsiasi altro motivo e si riserva il diritto di apportare modifiche atte a migliorare i prodotti senza preavviso. La riproduzione anche parziale e' severamente vietata a norme di legge.

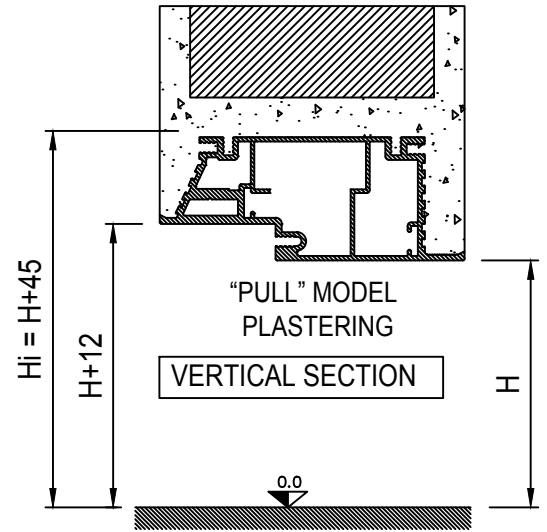
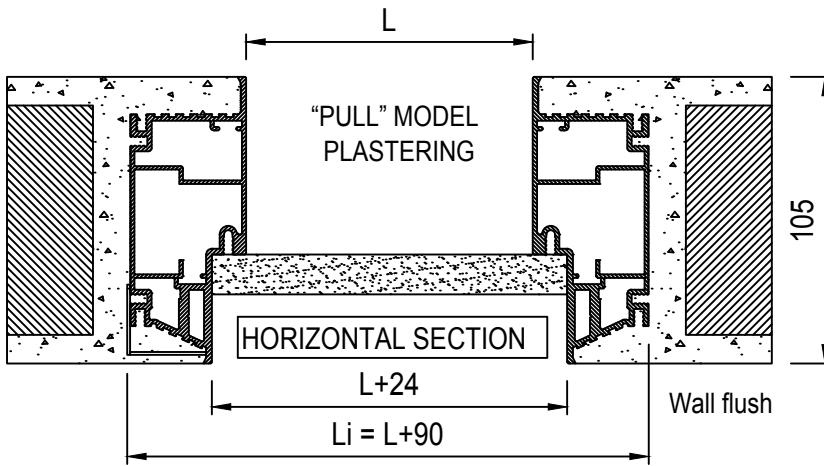
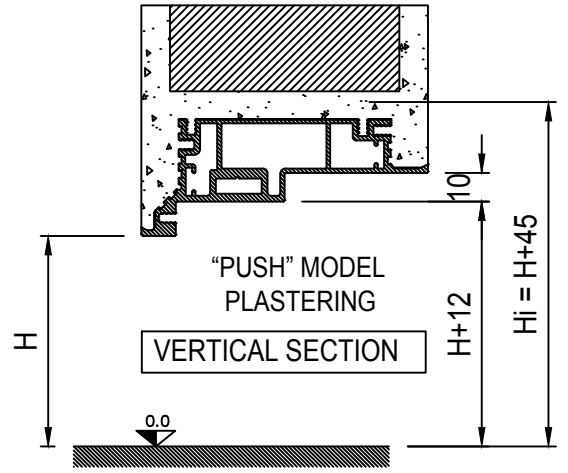
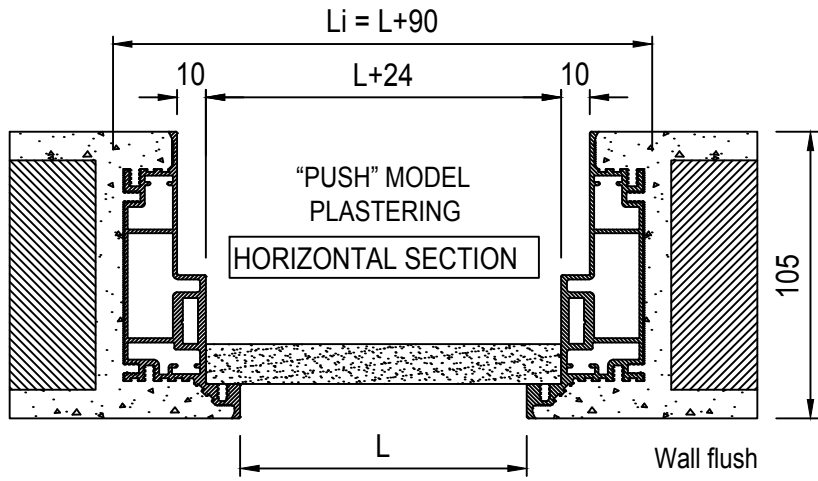
The information given in this document is for descriptive purposes only. SCRIGNO S.p.A. Unipersonale will not be held responsible for any inaccuracies caused by printing errors,transcription errors or for any other reason,and reserves the right to make modifications, without giving prior notice,for the improvement of its products. The reproduction,including the partial reproduction,of this document is severely prohibited within the terms of the Law.

Bei den veröffentlichten Daten handelt es sich um Richtwerte. Die Scrigno S.p.A. Unipersonale lehnt jegliche Haftung für auf Druckfehler oder andere Ursachen zurückzuführende Ungenauigkeiten ab, und behält sich das Recht vor, jederzeit ohne Vorankündigung Verbesserungen am Produkt vorzunehmen. Der Nachdruck ist auch auszugsweise gesetzlich untersagt

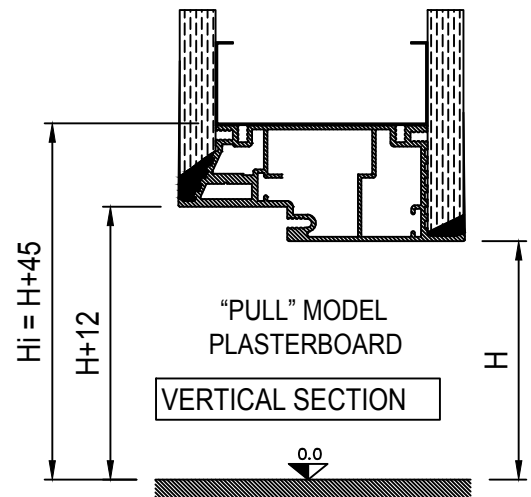
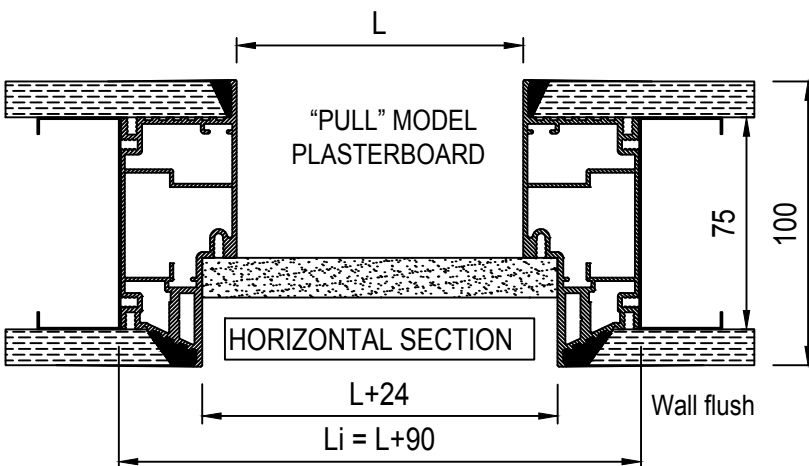
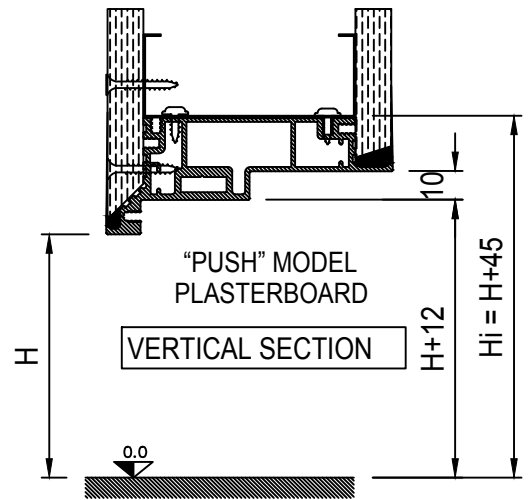
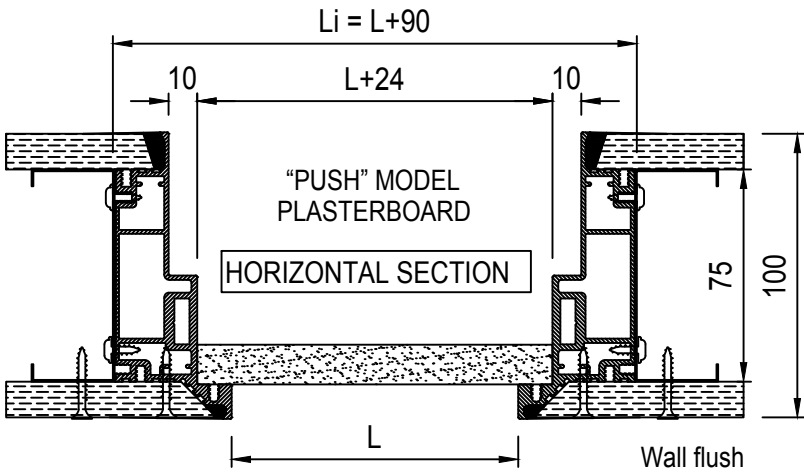
SCRIGNO

Scrigno S.p.A. Unipersonale
Via Casale, 975 - 47822 - Sant'Ermete di Santarcangelo (RN) - Italy
Tel.+39 0541 757711 - Fax +39 0541 757780
www.scrigno.net e-mail: scrigno@scrigno.it

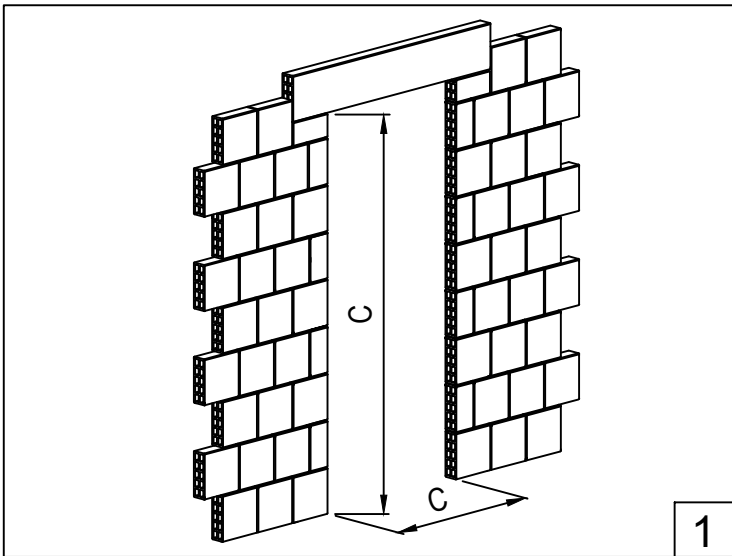
INSTALLATION IN BRICK WALLS



INSTALLATION IN PLASTERBOARD WALLS

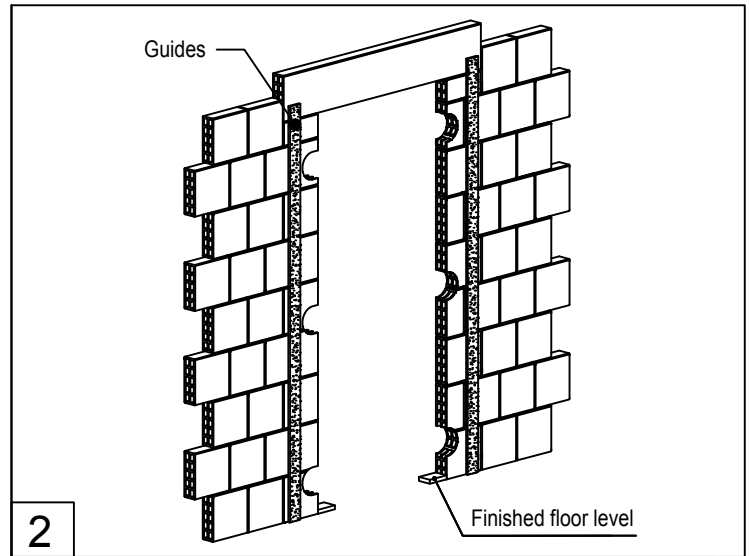


INSTALLATION IN BRICK WALLS



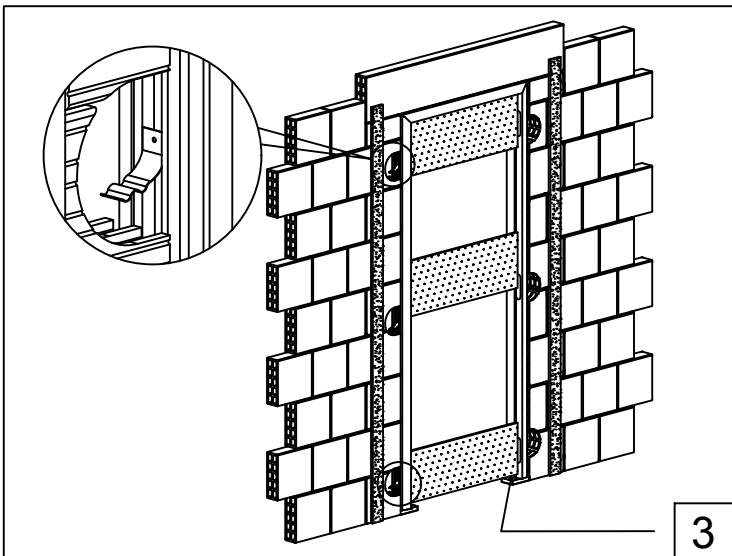
1

Prepare the compartment to accommodate the frame as shown in the section drawings.
Wall hole dimensions: arrange a clearance of 30/40 mm in width and 20/25 mm in height as compared to the floor level.



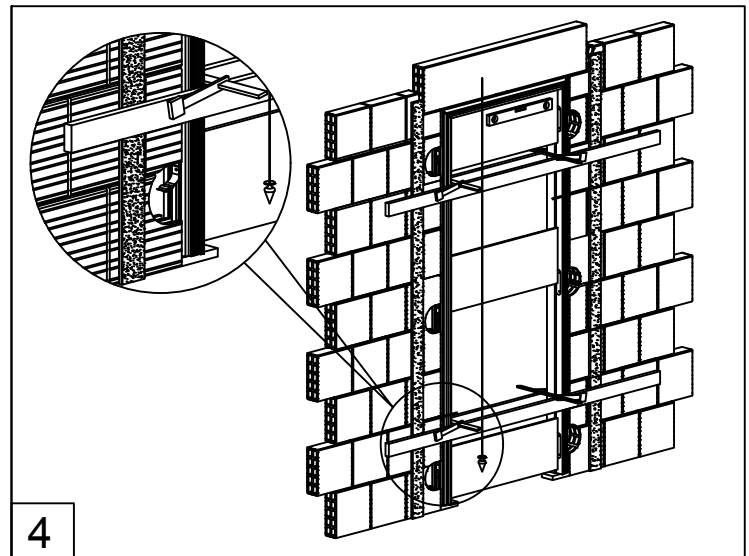
2

Create the supports for the frame at the finished floor level. Arrange guides, for the trowel application of the plastering. Break the compartment near the masonry clamps.



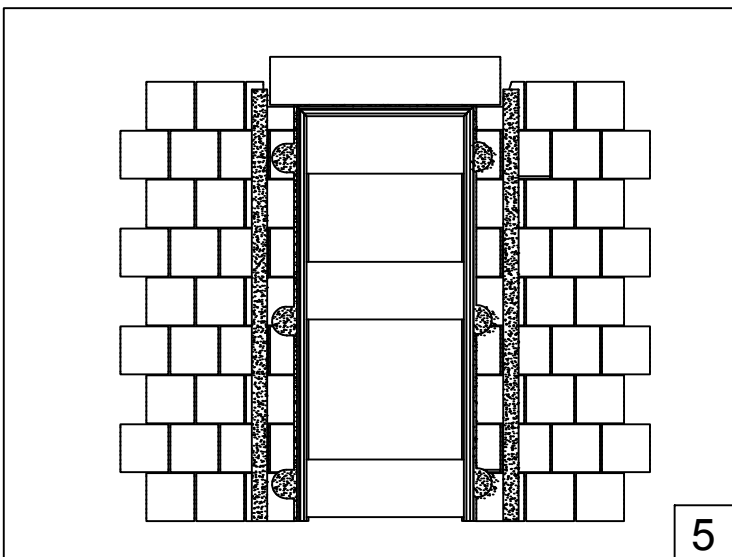
3

Fold back the metal clamps attached to the frame. Position the frame making sure to align the level and plane. **CAUTION:** The lower base of the frame must be flush with the finished floor.



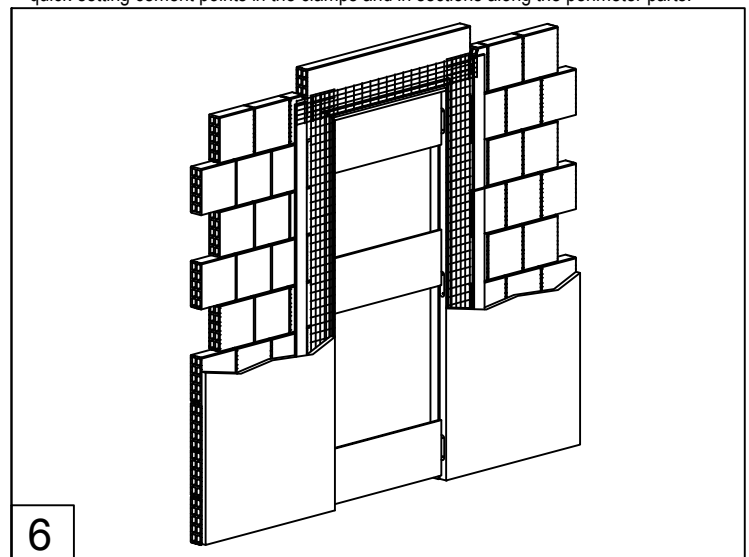
4

Secure the frame to the compartment created with springs and align one side of the frame flush with the finished wall.
Secure with clamps, recheck alignment, levelling and frame plane. Lock the frame with quick-setting cement points in the clamps and in sections along the perimeter parts.



5

Fill the gaps between the aluminium frame and the raw wall with cement mortar, taking care not to cause movement, and wait for the mortar to dry.



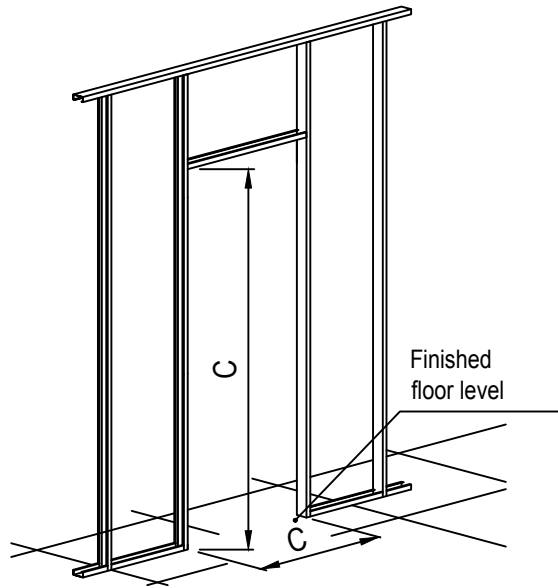
6

Apply the fine mesh in the position shown in the figure. Apply the plastering. Strictly respect the plastering flush determined by the frame itself. **CAUTION:** overlaying the plastering flush given by the aluminium frame affects the correct functioning of the panel and eliminates the aesthetic effect of flatness between wall and panel. **CAUTION:** remove the stiffening spacers only when the plastering has cured

INSTALLATION IN PLASTERBOARD WALLS

1

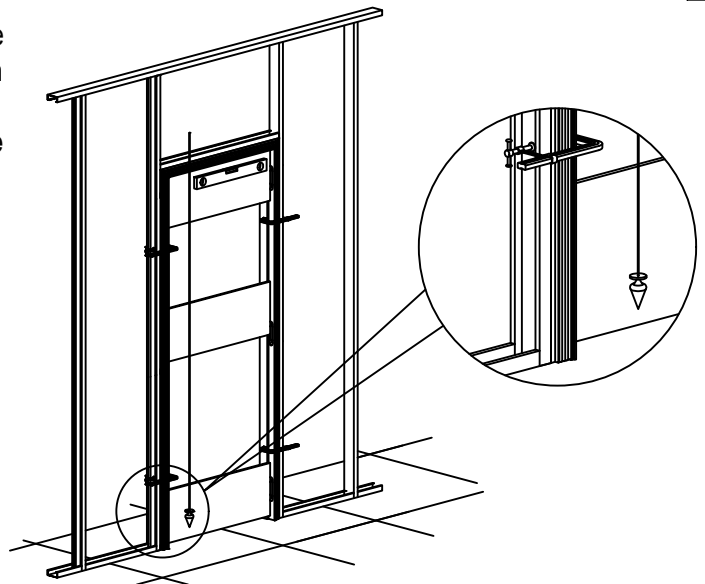
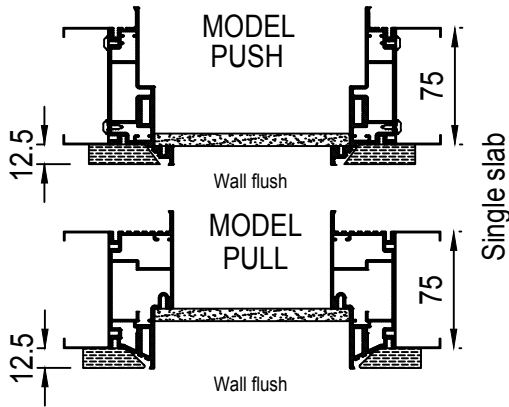
Prepare the compartment to accommodate the frame as shown on the previous page.



2

Position the frame making sure to align the level and plane. Align the frame to the created compartment, secure it with clamps, make sure the frame is aligned and levelled again. Fasten the frame with screws along the vertical uprights and the upper cross member.

CAUTION: The lower base of the frame must be flush with the finished floor.



3

Position the plasterboard slabs, secure them with screws to the frame and plasterboard structure. Apply the fine mesh for joints and grout. Connect the profiles that delimit the opening to the wall by rendering.

