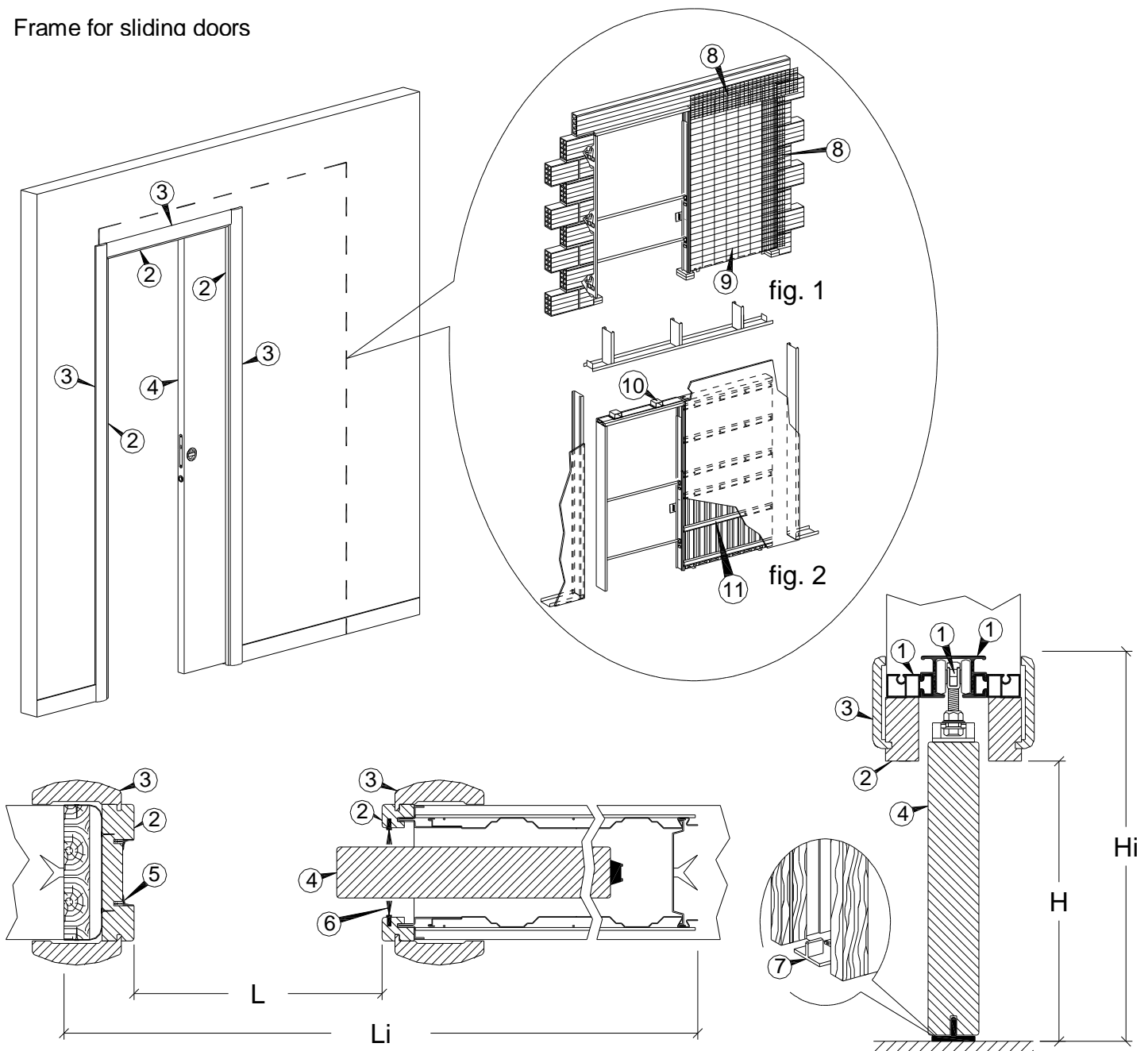


GLOSSARY

FRAME FOR SLIDING DOOR (SCRIGNO)

Structure to be built into a wall, with the principal function of containing and concealing a sliding door. There are two main types of frame, according to the type of wall in which they are installed: plasterwork frames for masonry walls (**fig.1**), and plasterboard frames for plasterboard walls (**fig.2**). To adapt them to the most common finished wall thicknesses, frames are available in a range of different thicknesses, and more precisely for finished wall thicknesses of 90/105/125/145 mm for plasterwork versions, and 100/125 mm for plasterboard versions, for walls made with 12.5 mm plasterboard sheets. To identify the correct frame, apart from the version (plasterwork or plasterboard) and the finished wall thickness, it is essential to also indicate the Clear Opening Size in both width **L** and height **H**. Another measurement indispensable to the designer to check the suitability of a frame is its Structural Opening Size, indicated with **Li** and **Hi**.

Frame for sliding doors



DEFINITIONS

Clear Opening Size

L is the net distance in width between doorposts after installation has been completed.

H is the net distance in height from the finished floor to the upper crosspiece after installation has been completed.

Structural Opening Size

Li is the total width of the frame before finishing but fully assembled.

Hi is the total height of the frame before finishing but fully assembled.

1 Sliding system

This is composed of the various components that permit door movement. It consists in the upper track and the hanger assembly.

2 Door post

This is a finishing accessory for the door, and after installation it defines the perimeter of the door and delimits the clear opening size.

3 Edging trim

This is a finishing accessory for the door, used to conceal the joint between the door post and the wall.

4 Door

This is the moving component that opens and closes the opening to permit or impede the passage of persons between the two spaces.

5 Closure seal

This is fitted on the door post to dampen door closure.

6 Dust brush

This is fitted to the doorpost as a finishing component and to prevent the entry of dust into the metal box.

7 Floor guide

A component of the hanger assembly fixed to the floor at the entry point to the metal box, allowing the groove in the door to be correctly guided.

8 Fine mesh

This is an accessory in fibreglass for plasterwork frame versions, to be applied over the upper and lateral joints between the metal box and the masonry wall, with excellent characteristics of mechanical resistance that protect against possible cracking of plasterwork.

9 Metallic mesh

This is a mesh of steel rods fixed to the sides of the metal box to facilitate the adherence of cement mortar.

10 Fixing supports

This is an accessory for plasterboard frame versions that allows the upper track to be fixed to the loadbearing structure of the wall.

11 Horizontal reinforcements

These are profile bars in contoured sheet metal fixed to the sides of the metal box of plasterboard frame versions, allowing the structure to be made more rigid and facilitating the fitting and fixing of plasterboard sheets with screws.

MAIN ELEMENTS OF THE FRAME

PLASTERWORK VERSION

PLASTERBOARD VERSION

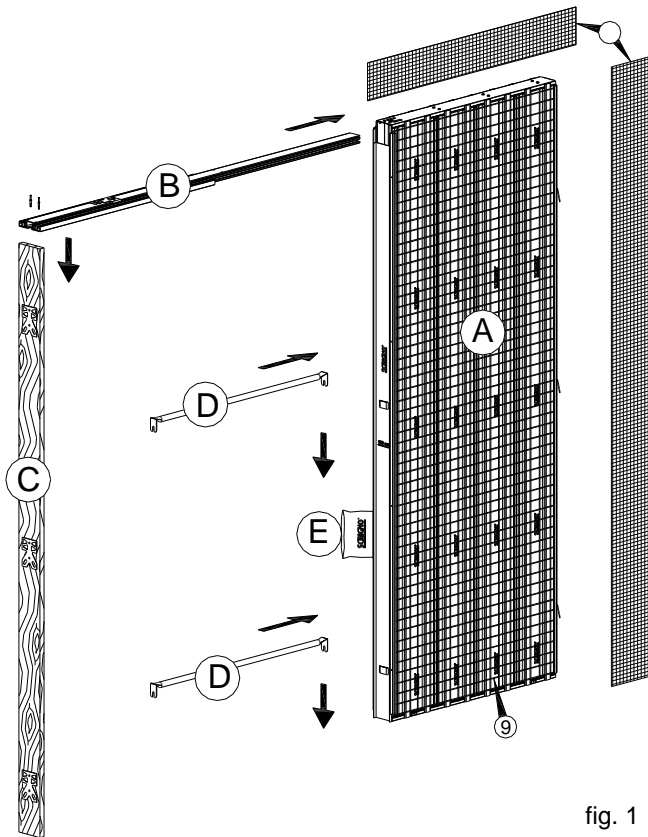


fig. 1

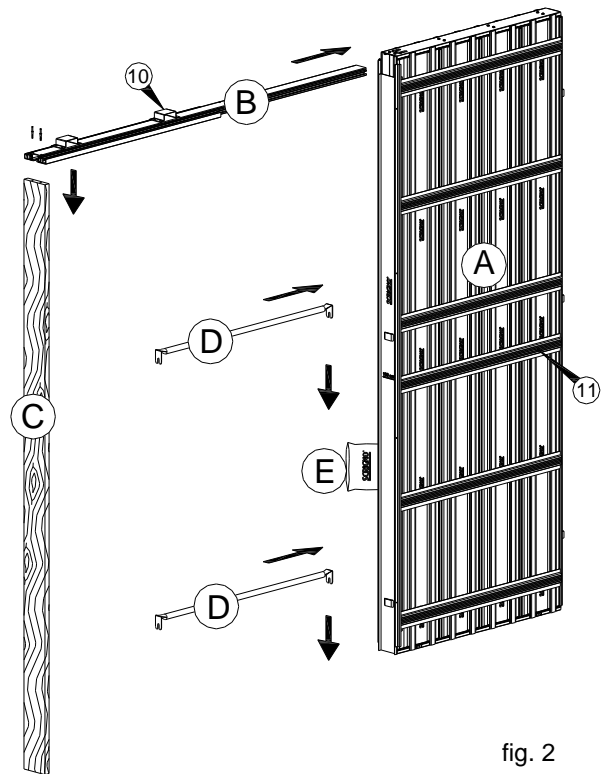


fig. 2

(A) METAL BOX composed of:

Side panels made in sheet metal with vertical corrugations to give rigidity. The plasterwork version has a metallic mesh (9) that permits perfect adherence of cement mortar. The plasterboard version has horizontal sheet metal profile bars (11) that serve both to reinforce the structure and to facilitate the application of plasterboard panels, fixed with the screws provided.

Top profile in sheet metal for closure of the top part of the metal box, with a sheet metal profile bar to support the upper track.

Bottom profile in sheet metal for closure of the lower part of the metal box, prearranged both for fixing the metal box to the floor and for fixing of the floor guide for the door.

Rear profile in sheet metal to close the rear end of the metal box, fitted with walling lugs on the plasterwork or with fixing brackets on the plasterboard version, to facilitate fixing to the adjacent wall.

Mask profile in sheet metal to close the front part of the metal box, used only to protect it during installation on both plasterwork and plasterboard versions, and fitted with recesses to accommodate the installation spacers. When installation has been completed it must be removed before installation of the door.

(B) UPPER TRACK composed of:

Profile bar in suitably contoured extruded anodized aluminium to ensure perfect suspension of the sliding hangers.

Lateral PVC profile bars used as a reference for finished wall thickness, and also permitting easy fixing of the door post.

(C) UPRIGHT composed of:

a contoured length of wood of the same thickness as the finished wall, fitted with recesses to accommodate the installation spacers. The plasterwork version has walling lugs to facilitate fixing to the adjacent wall.

(D) INSTALLATION SPACERS composed of:

sheet metal bars that when inserted into the recesses provided on the mask and the upright allow the frame to be kept in perfect alignment. When installation has been completed they must be removed before installation of the door.

(E) HANGER KIT

inclusive of all accessories necessary for assembly of the sliding door, and composed of: one pair of hangers, a pair of suspension plates, an end stop, a floor guide and fixing accessories.